

# RAK477 UART WiFi Module

## Specification V1.4

© 2015 Rakwireless all rights reserved .

Mentioned in this document , the actual company and product names, trademarks are their respective owners.

After update the new version, this document without prior notice.

# Content

1. General Description.....	1
2. Features.....	2
3. System Block Diagram.....	4
4. Module Hardware Description.....	5
4.1 Module view.....	5
4.2 Package information.....	5
4.3 Pin definition.....	6
4.4 Reference design.....	8
5. Electrical Specification.....	9
5.1 General specification.....	9
5.2 802.11b Mode.....	9
5.3 802. 11g Mode.....	10
5.4 802. 11n HT20 Mode.....	10
5.5 802. 11n HT40 Mode.....	11
6. Order information.....	12
6.1 Order part number.....	12
6.2 Module size.....	12
7. Contact information.....	13
8. Change Note.....	14

## 1. General Description

RAK477 module is a Wi-Fi module that fully compliant with IEEE 802.11b/g/n wireless standards, It combines an ARM-CM3 MCU, WLAN MAC, a 1T1R capable WLAN baseband, and RF in the module. It have onboard antenna, and external antenna interface, RF output PIN also exist in the board. RAK477 internally integrated TCP / IP protocol stack, supporting numerous protocols such as ARP, IP, ICMP, TCP, UDP, DHCP CLIENT, DHCP SERVER, DNS and other etc. It supports AP mode, STA mode, AP+STA mode. It support rich AT command for all kinds of application, Users can easily and quickly use it to wifi networking and data transmission. It also support transparent transmission, easy to use by simply using the PC, APPs tool to work individually or in bulk for parameters configuration, and then module connects the serial ports and network for normal usage. The baud rate of module serial port is up to 921600bps, which can fully meet the low-rate applications.

In network part, RAK477 supports storing network parameters in the module, and reduce time connect to network. The module supports wireless network parameters configuration, supports wireless firmware upgrade. It also supports EasyConfig.

It also provides a bunch of configurable GPIOs which are configured as SPI ,UART, I2C, for different applications and control usage. RAK477 integrates internal 512K SRAM and 1MB flash for complete WIFI protocol functions.

## 2. Features

### Application

- Support at commands and transparent transmission mode
- Support for multiple baud rate
- Support wireless configuration and OTA upgrade firmware
- Support the UART interface, OTW upgrade function
- Support for fast networking, easyconfig, function
- Support AP, STA, AP+STA Mode
- Support proactively identifying devices in LAN

### Standards Supported

- 802.11b/g/n compatible WLAN
- 802.11e QoS Enhancement (WMM)
- 802.11i (WPA, WPA2). Open, shared key, and pair-wise key authentication services
- Light Weight TCP/IP protocol

### WLAN MAC Features

- CMOS MAC, Baseband PHY, and RF in a single chip for 802.11b/g/n compatible WLAN
- Complete 802.11n solution for 2.4GHz band
- 72.2Mbps receive PHY rate and 72.2Mbps transmit PHY rate using 20MHz bandwidth
- 150Mbps receive PHY rate and 150Mbps transmit PHY rate using 40MHz bandwidth
- Backward compatible with 802.11b/g devices while operating in 802.11n mode
- Compatible with 802.11n specification
- Frame aggregation for increased MAC efficiency (A-MSDU, A-MPDU)
- Low latency immediate High-Throughput Block Acknowledgement (HT-BA)
- Long NAV for media reservation with CF-End for NAV release
- PHY-level spoofing to enhance legacy compatibility
- Power saving mechanism

### WLAN PHY Feature

- 802.11n OFDM
- One Transmit and one Receive path (1T1R)
- 20MHz and 40MHz bandwidth transmission

- Short Guard Interval (400ns)
- DSSS with DBPSK and DQPSK, CCK modulation with long and short preamble
- OFDM with BPSK, QPSK, 16QAM, and 64QAM modulation. Convolutional Coding Rate: 1/2, 2/3, 3/4, and 5/6
- Maximum data rate 54Mbps in 802.11g and 150Mbps in 802.11n
- Fast receiver Automatic Gain Control (AGC)

### Peripheral Interfaces

- Maximum 1 SPI supported with baud rate up to 10.4MHz.
- Support 4 External Timer Trigger Event (ETE function) with configurable period in low power mode
- Maximum 17 GPIO pins
- 2 high speed UART interface with baud rate up to 4MHz

### 3. System Block Diagram

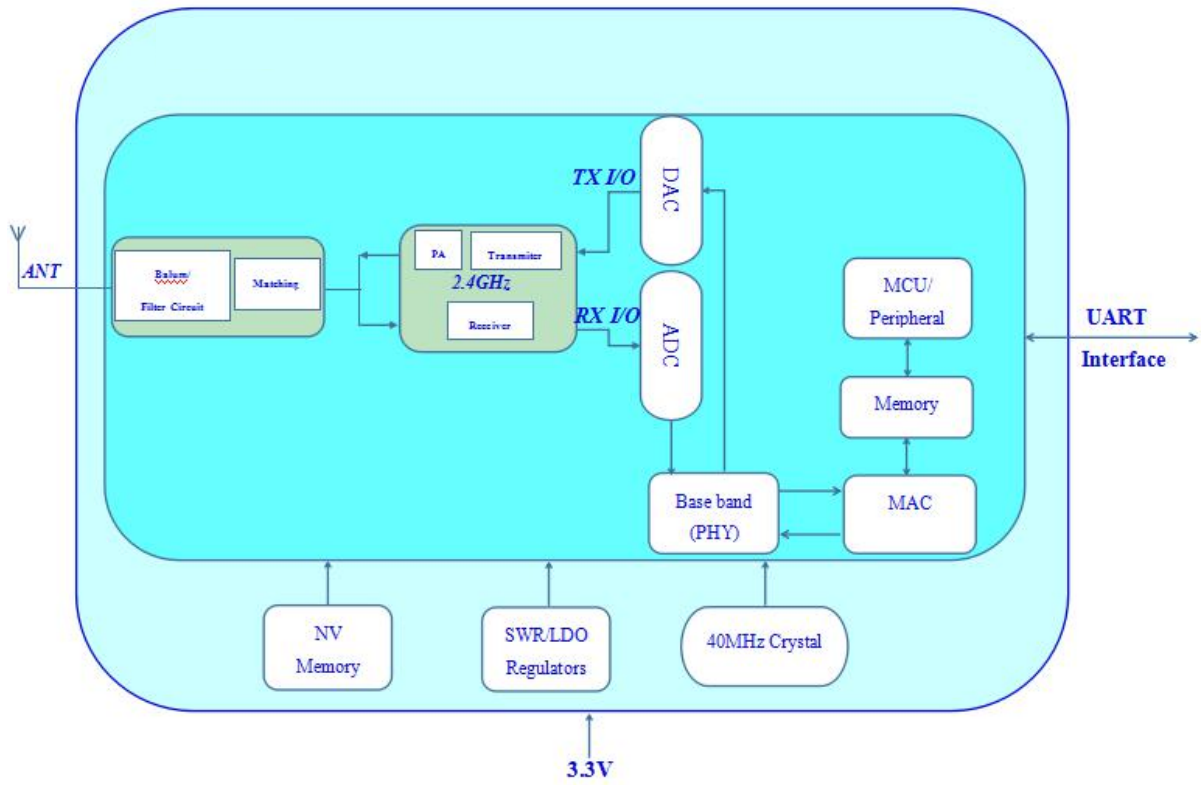


Figure 3-1 RAK477 System Diagram

RAK477

## 4. Module Hardware Description

### 4.1 Module view



Figure 4-1 RAK477 Top View



Figure 4-2 RAK477 Bottom View

### 4.2 Package information

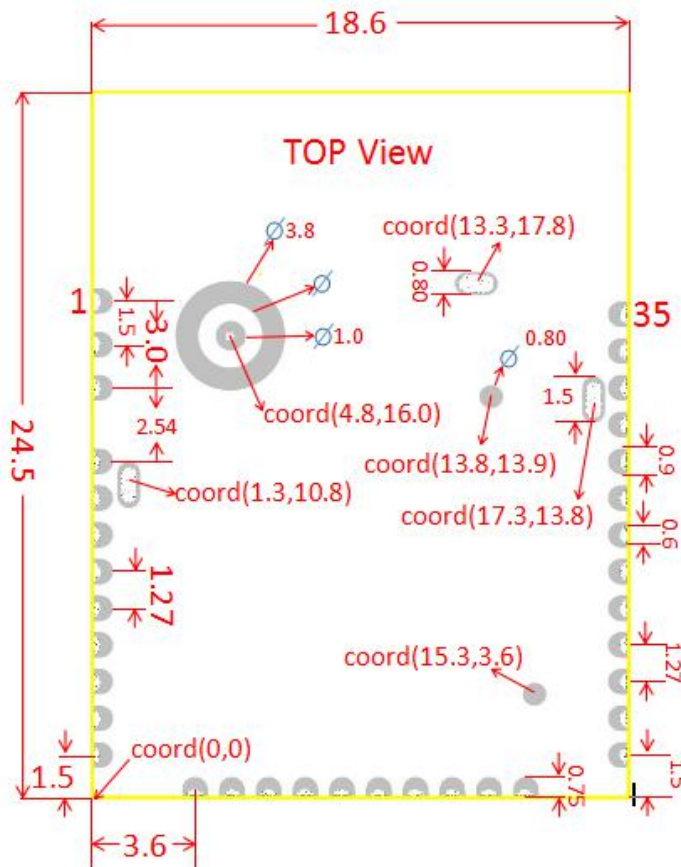


Figure 4-3 Module Pin Size (mm)

### 4.3 Pin definition

Table 4-1: Pin Definition

Pin	Name	Type	Description
1,3,21,33	GND	Ground	All ground pins are connected to ground pad or the copper.
22	VCC3.3V	Power	3.3V power supply.
2	RF_OUT	O	2.4GHz RF output
4	VDDIO	Power	3.3V for Digital IO or digital blocks
11	RESET	I	Module reset pin, Active low.
15	STATUS	O , PU	Normal start up output pin, output low effective.
17	LINK	O , PU	Work status indicator pin of module, output low effective.
23	TXD	O	Serial data communication interface send
26	RXD	I	Serial flow control pin, ready to receive, Active low.
24	RTS	O	Serial flow control pin, The default output low. Active low, ready to receive data / request the other party to send data.
25	CTS	I	Serial flow control pin, Input pull. Active low, ready to send data/request each other to send data. High level cannot send data, low level can send data.
28	DEFAULT	I , PU	Default pin, used to config module with easyconfig and restore module to factory configuration 1. Enter easyconfig mode : active low <1S 2. Enter factory mode : active low >3S
29	MODE	I , PU	MODE pin, only work with configuration 1. Command mode : hold low 2. Trans mode: hold high
20	NC/VCC	I	Use 473/475 module,this pin can Suspended;if use the 476/477 module,this pin must connect VCC3.3V
Others	NC	NC	Remain disconnected when no use

**Note:**

1. I - input O - output PU – pulling up PD - pulling down
2. NC - not connected



	Status	Link LED	Status LED
MODE	Enter Easyconfig	200ms interval blink	ON
	Enter OTA	50ms interval blink	
STA MODE	No connect	OFF	ON
	connecting	1s interval blink	
	IP acquiring	2s interval blink	
	connected	ON	
	Socket event	Blink 3 times	
AP MODE	AP not established	OFF	ON
	AP established no sta connect	1S ON/OFF	
	sta connect	ON	
DEFAULT	Enter default mode	500ms ON/OFF	500ms ON/OFF

Table 4-2: LED Definition

**Note:**

1. Status LED is indicate normal start , after success hold ON
2. Default key active low<1S , enter easyconfig mode , Link LED blink , until config success or timeout
3. Default key active low>3S , Link and Status LED blink at the same time , continue 3 seconds before reset self
4. AP SAT coexist mode , LEDS indicate together

### 4.4 Reference design

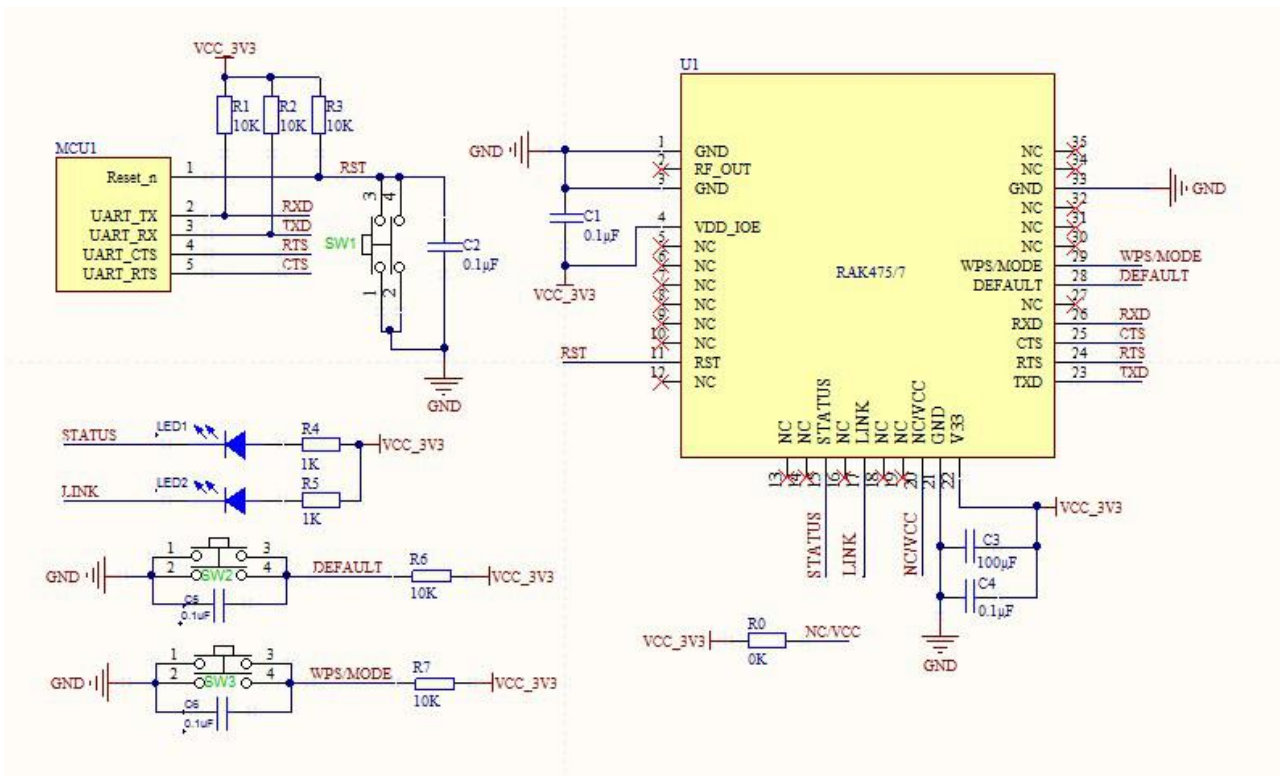


Figure 4-4 Module Reference Design

## 5. Electrical Specification

### 5.1 General specification

ITEMS	CONTENTS
Operating Frequency	2.400-2.4835GHz
WiFi Standard	802.11b/g/n
Modulation	11b: DBPSK,DQPSK and CCK and DSSS 11g: BPSK,QPSK16QAM,64QAM and OFDM 11n: MCSO-15 OFD
Data rates	11b:1,2,5.5 and 11Mbps 11g:6,9,12,18,24,36,48 and 54 Mbps 11n:MCSO-15,up to 150Mbps
Host Interface	UART
Dimension	Typical (L x W):21mm x 18mm
Operation Temperature	-20°C to +85°C
Storage Temperature	-55°C to +125°C
Operation Voltage	3.3V±0.2V

### 5.2 802.11b Mode

ITEMS	CONTENTS				
Specification	IEEE802.11b				
Mode	DSSS/CCK				
Channel	CH 1to CH13				
Data rate	1,2,5.5,11Mbps				
<b>1.Power Levels (calibrated)</b>					
	Min.	Typ.	Max.	Unit	Note
1)16dBm Target (For each antenna Port)	15	17	19	dBm	
<b>Frequency error</b>					
	-25	0	+25	kHz	
<b>3. Minimum input level sensitivity</b>					
	Min.	Typ.	Max.	Unit	Note
1)11Mbps(FER≤8%)	---	-87	---	dBm	
2)Maximum input level (FER≤8%)	---	-10	---	dBm	

### 5.3 802. 11g Mode

ITEMS	CONTENTS				
Specification	IEEE802.11g				
Mode	OFDM				
Channel	CH 1to CH13				
Data rate	6,9,12,18,24,36,48,54Mbps				
<b>1.Power Levels (calibrated)</b>					
	Min.	Typ.	Max.	Unit	Note
1)16dBm Target (For each antenna Port)	12	14	16	dBm	
<b>2.Constellation error(EVM)@target power</b>					
	Min.	Typ.	Max.	Unit	Note
1)54Mbps	---	-30	-28	dB	
<b>3.Frequency error</b>					
	Min.	Typ.	Max.	Unit	Note
4.Minimum input level sensitivity	Min.	Typ.	Max.	Unit	
1)54Mbps(PER≤10%)	---	-75	---	dBm	
5.Maximum input level (PER≤10%)	---	-10	---	dBm	

### 5.4 802. 11n HT20 Mode

ITEMS	CONTENTS				
Specification	IEEE802.11n HT20@2.4GHz				
Mode	OFDM				
Channel	CH 1to CH13				
Data rate	MCS0/1/2/3/4/5/6/7/8/9/10/11/12/13/14/15				
<b>1.Power Levels</b>					
	Min.	Typ.	Max.	Unit	Note
1)16dBm Target (For each antenna Port)	12	14	16	dBm	
<b>2.Constellation error(EVM)@target power</b>					
	Min.	Typ.	Max.	Unit	Note
1)MCS7	---	-30	-28	dB	
<b>3.Frequency error</b>					
	Min.	Typ.	Max.	Unit	Note
3.Frequency error	-25	0	+25	kHz	

4.Minimum input level sensitivity	Min.	Typ.	Max.	Unit	
1)MCS7(PER≤10%)	---	-73	---	dBm	
5.Maximum input level (PER≤10%)	---	-10	---	dBm	

### 5.5 802. 11n HT40 Mode

ITEMS	CONTENTS				
Specification	IEEE802.11n HT40@2.4GHz				
Mode	OFDM				
Channel	CH 1to CH13				
Data rate (MCS index)	MCS0/1/2/3/4/5/6/7/8/9/10/11/12/13/14/15				
<b>1.Power Levels (calibrated)</b>					
	Min.	Typ.	Max.	Unit	Note
1)16dBm Target (For each antenna Port)	12	14	16	dBm	
<b>2.Constellation error(EVM)@target power</b>					
	Min.	Typ.	Max.	Unit	Note
1)MCS7		-30	-28	dB	
<b>3.Frequency error</b>					
	-25	0	+25	kHz	
<b>4.Minimum input level sensitivity</b>					
	Min.	Typ.	Max.	Unit	
1)MCS7(PER≤10%)	---	-70	---	dBm	
<b>5.Maximum input level (PER≤10%)</b>					
	---	-10	---	dBm	

## 6. Order information

### 6.1 Order part number

Table 6-1 : Order model

Product	Describe	Antenna	MOQ(PCS)	Evaluation Board
RAK477AS-XXXX	UART interface module, with on-board antenna	On-board	400	RAK477-EVB
RAK477BS-XXXX	UART interface module, with external antenna	External , U.fl/i.PEX	400	
RAK477CS-XXXX	UART interface module, with RF output interface	RF output	400	

### 6.2 Module size

Packaging: Hard plastic pallets

Weight: <= 3 g/pcs

Table 6-2: Thickness (Height)

RAK477	Thickness (Height)
With Shield	3.15±0.15mm

Note: In considering height design of the product, please consider your motherboard thickness error and product fit gap (recommended 0.10-0.15mm).

## 7. Contact information

### Shanghai

FAE mailbox:allan.jin@rakwireless.com

Tel : 185-1082-5762

Address: Room B205, Green light kechuang garden, 2588 Lane, Hongmei South road,  
Minhang District, Shanghai

### Shenzhen

FAE mailbox: steven.tang@rakwireless.com

Tel : 0755-26506594

Fax: 0755-86152201

Address: Room 802, Yongfu building, No.1s06, Yongfu road, Baoan District , Shengzhen

RAKwireless

## 8. Change Note

Version	Date	Change
V1.0	2016-03-16	ADD part LED indicate description
V1.1	2016-04-03	Modify typical design , compatible with RAK475 and RAK477
V1.2	2016/6/20	Change order model information
V1.3	2016/12/1	Change Reference design
V1.4	2017/1/09	Updata the sensitivity

rakwireless