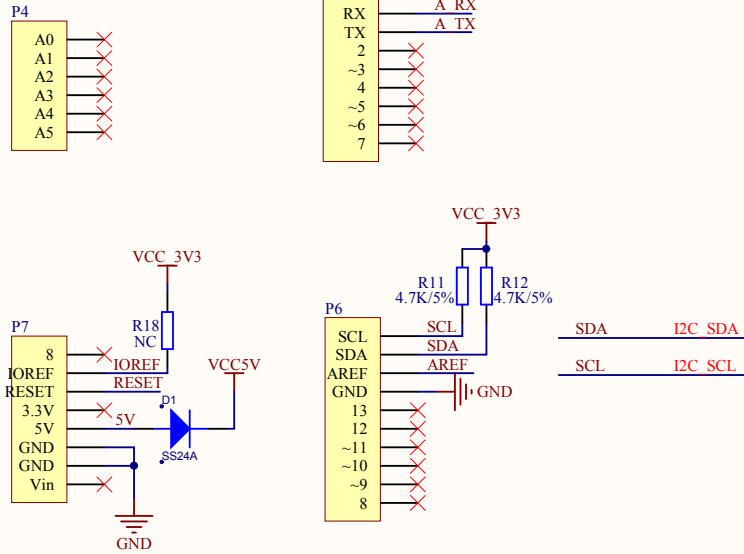
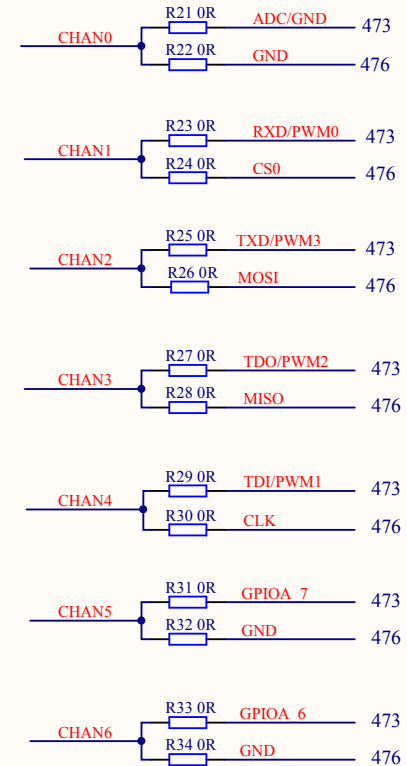


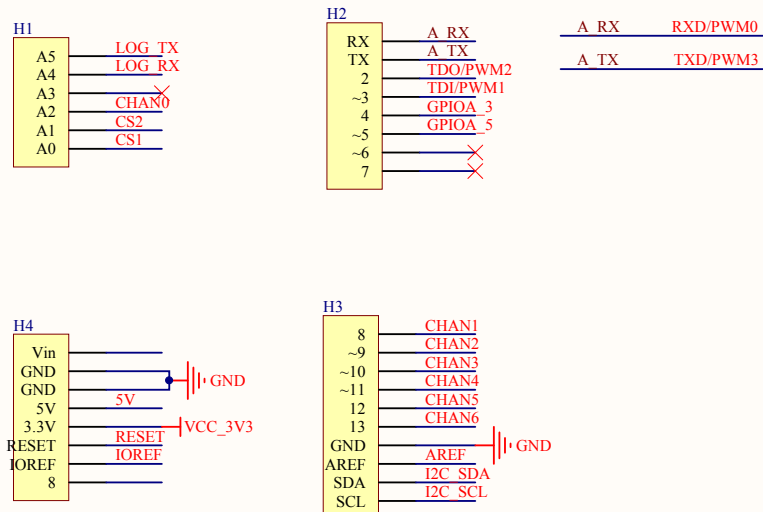
## Slave Interface



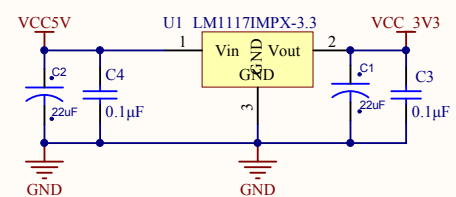
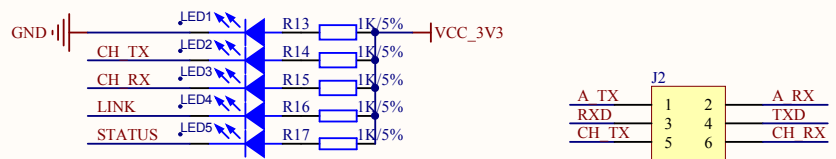
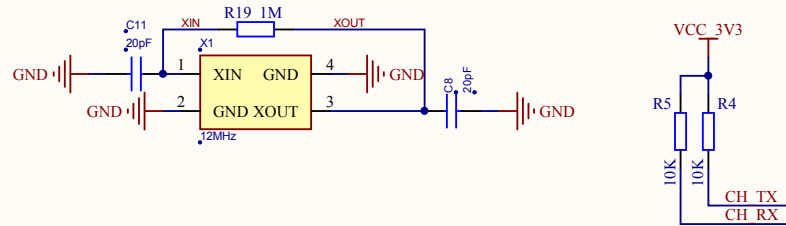
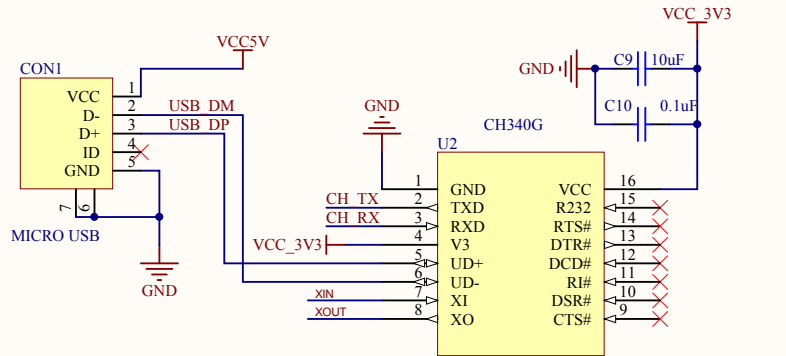
## I/O Switching Resistance



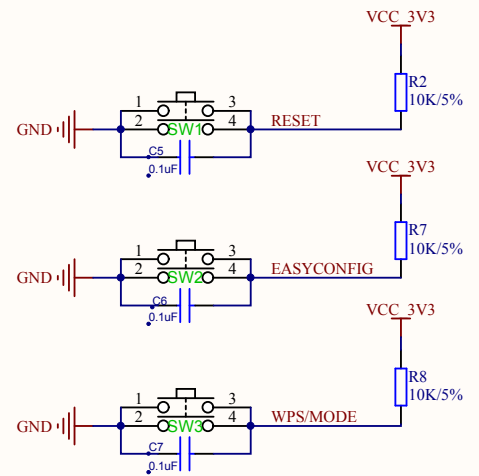
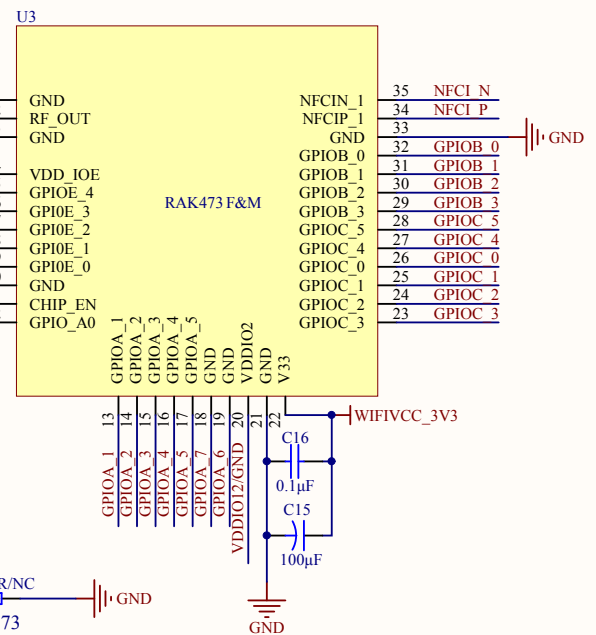
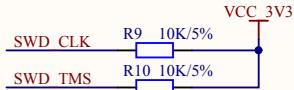
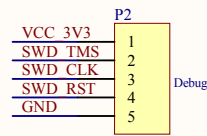
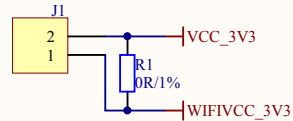
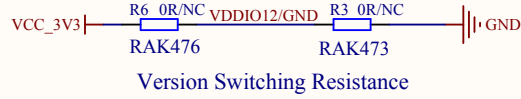
## Host Interface



Title		
Size	Number	Revision
A4		
Date:	2016/12/16	Sheet of
File:	C:\Users\...\CONNECT.SchDoc	Drawn By:



GPIO 4	SWD_CLK
GPIO 3	SWD_TMS
GPIO 2	SWD_TDO
GPIO 1	SWD_TDI
GPIO 0	SWD_RST
GPIO 4	RESET
GPIO 0	MISO
GPIO 1	MOSI
GPIO 2	CLK
GPIO 3	STATUS
GPIO 4	CS0
GPIO 5	LINK
GPIO 0	LOG_TX
GPIO 1	LOG_RX
GPIO 2	I2C_SCL
GPIO 3	WPS/MODE
GPIO 5	EASYCONFIG
GPIO 4	SLEEP
GPIO 0	RXD
GPIO 1	CTS
GPIO 2	RTS
GPIO 3	TXD
TDO/PWM2	
TDI/PWM1	
TXD/PWM3	



Title		
Size	Number	Revision
A4		
Date:	2016/12/16	Sheet of
File:	C:\Users\... \RAK_ARDINO.SchDoc	Drawn By: